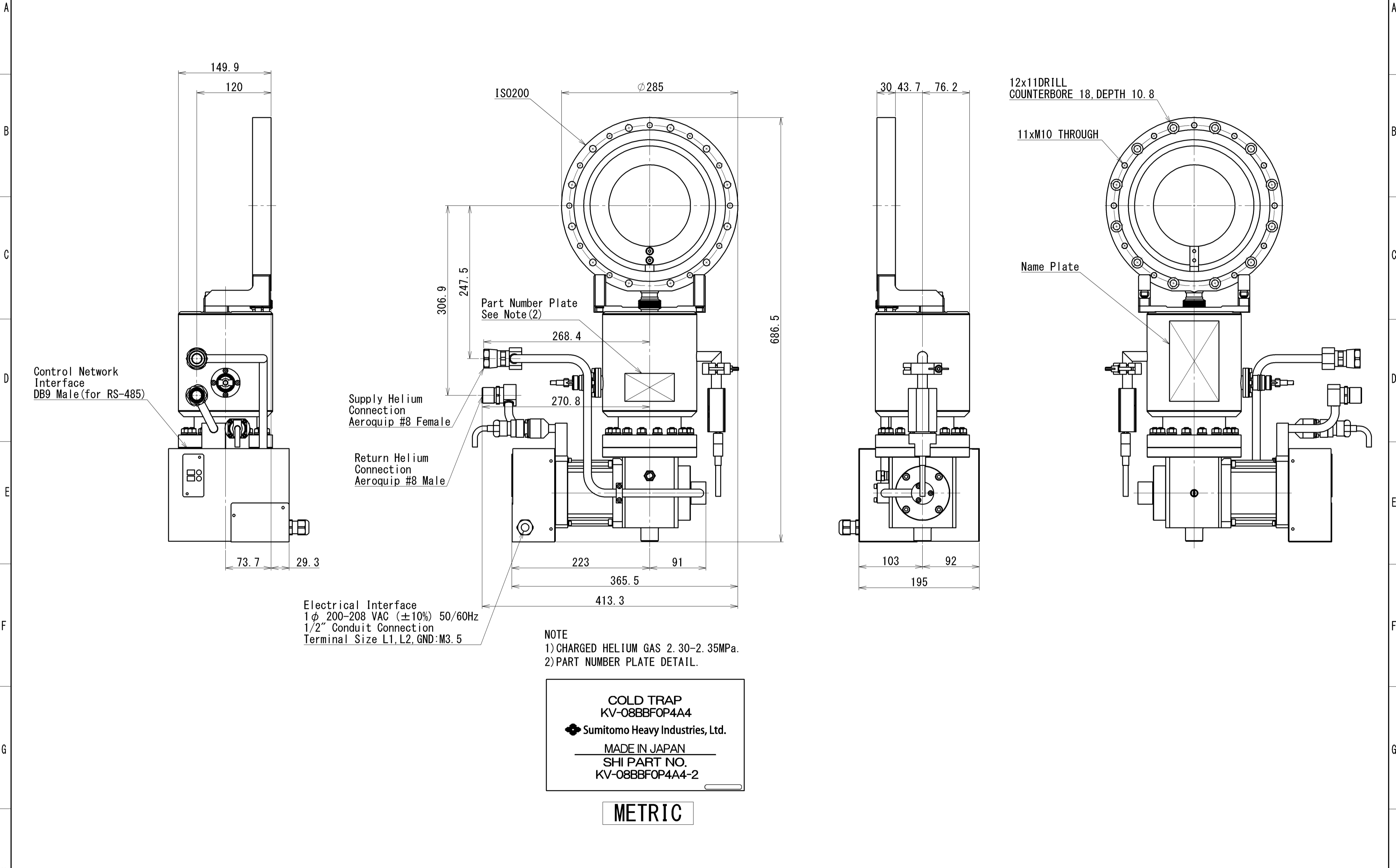


THIS DRAWING IS THE PROPERTY OF SUMITOMO HEAVY INDUSTRIES, LTD. (SHI) AND IS CONFIDENTIAL. IT SHALL NOT BE REPRODUCED, NOR USED FOR ANY OTHER PURPOSE, NOR SUBMITTED TO OUTSIDE PARTIES WITHOUT SHI'S PERMISSION.

NO. PIECE FOR SET	DESCRIPTION	MARK	MATERIAL	MASS kg		STANDARD NO.	MATERIAL SPEC.
				FOR ONE	TOTAL		
					31		



Electrical Interface
 1φ 200-208 VAC (±10%) 50/60Hz
 1/2" Conduit Connection
 Terminal Size L1, L2, GND: M3.5

NOTE
 1) CHARGED HELIUM GAS 2. 30-2. 35MPa.
 2) PART NUMBER PLATE DETAIL.

COLD TRAP
KV-08BBFOP4A4
 Sumitomo Heavy Industries, Ltd.
 MADE IN JAPAN
 SHI PART NO.
 KV-08BBFOP4A4-2

METRIC

SCALE	1:4	DATE	2020/04/06	Cold trap KV-08BBFOP4A4 SHI P/N : KV-08BBFOP4A4-2 DWG. NO. RG21ZH2002AQ	
DRAWN	Y. Shibuya	DESIGN	K. Mochiduki		
INSPECTION	M. Nakamura	APPROVAL	M. Nakamura	Sumitomo Heavy Industries, Ltd.	
PREVIOUS	RG21ZH1749AQ	CD9020-033A	2020/04/06		K. Mochiduki
NUM	REV	DESCRIPTION	DESIGN CHANGE No.	DATE	BY