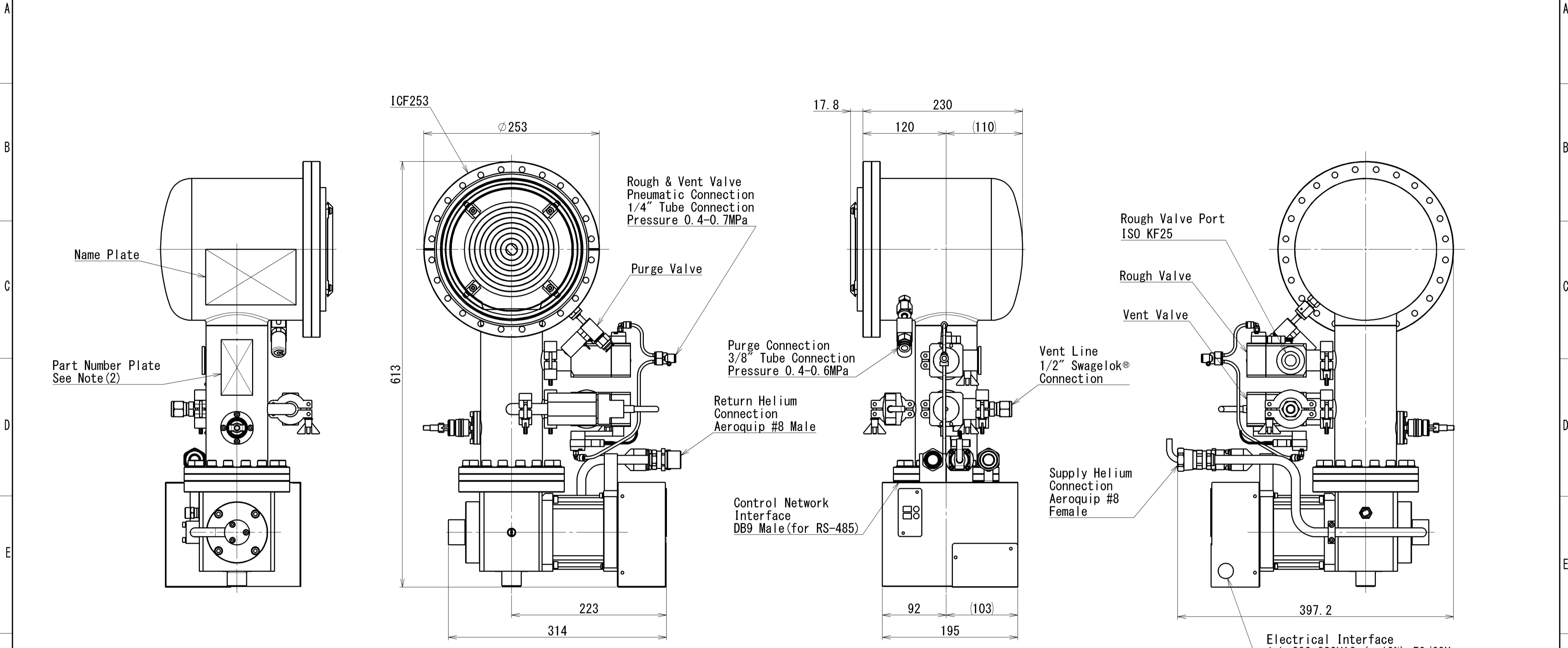


THIS DRAWING IS THE PROPERTY OF SUMITOMO HEAVY INDUSTRIES, LTD. (SHI) AND IS CONFIDENTIAL. IT SHALL NOT BE REPRODUCED, NOR USED FOR ANY OTHER PURPOSE, NOR SUBMITTED TO OUTSIDE PARTIES WITHOUT SHI'S PERMISSION.

NO. PIECE FOR SET	DESCRIPTION	MARK	MATERIAL	MASS kg		STANDARD NO.	MATERIAL SPEC.
				FOR ONE	TOTAL		
					28		



NOTE  
 1) CHARGED HELIUM GAS 2.30-2.35MPa.  
 2) PART NUMBER PLATE DETAIL.

CRYOPUMP  
 KV-08FCLOA0D4  
 Sumitomo Heavy Industries, Ltd.  
 MADE IN JAPAN  
 SHI PART NO.  
 KV-08FCLOA0D4-0

METRIC

SCALE	1:4	DATE	2021/02/03	Cryopump KV-08FCLOA0D4 SHI P/N : KV-08FCLOA0D4-0 DWG. NO. RG20ZH2197AQ
DRAWN	T. Sakamoto	DESIGN	Y. Shibata	
INSPECTION	M. Nakamura	APPROVAL	M. Nakamura	
NUM REV	DESCRIPTION	DESIGN CHANGE No.	DATE	BY
0	NEW DRAWING.		2021/02/03	Y. Shibata

Sumitomo Heavy Industries, Ltd.