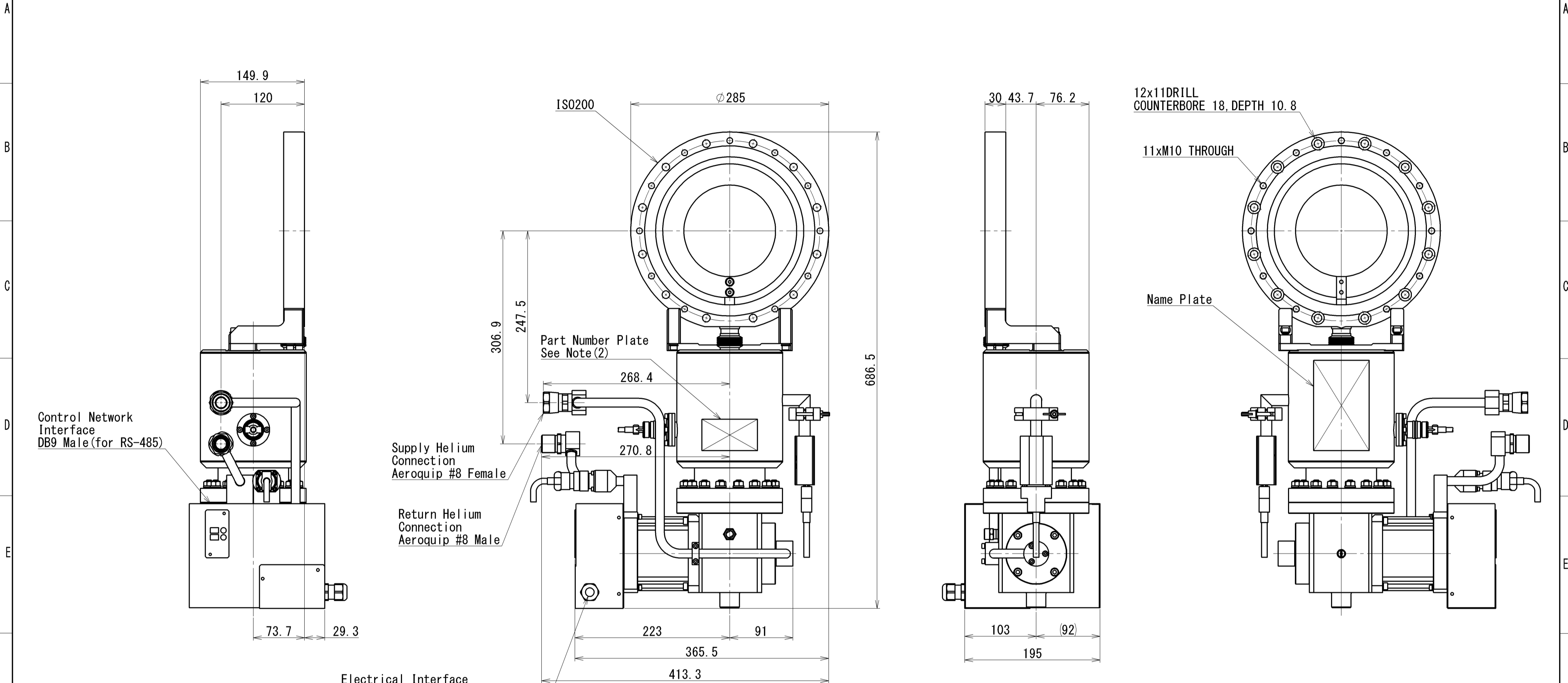


THIS DRAWING IS THE PROPERTY OF SUMITOMO HEAVY INDUSTRIES, LTD. (SHI) AND IS CONFIDENTIAL. IT SHALL NOT BE REPRODUCED, NOR USED FOR ANY OTHER PURPOSE, NOR SUBMITTED TO OUTSIDE PARTIES WITHOUT SHI'S PERMISSION.

NO. PIECE FOR SET	DESCRIPTION	MARK	MATERIAL	MASS kg		STANDARD NO.	MATERIAL SPEC.
				FOR ONE	TOTAL		
					31		



Electrical Interface
 1φ 200-230 VAC (±10%) 50/60Hz
 1/2" Conduit Connection
 Terminal Size L1, L2, GND: M3.5

NOTE
 1) CHARGED HELIUM GAS 1.65-1.70MPa.
 2) PART NUMBER PLATE DETAIL.

COLD TRAP
KZ-08BBF0P4A3
Sumitomo Heavy Industries, Ltd.
 MADE IN JAPAN
 SHI PART NO.
 KZ-08BBF0P4A3-0

METRIC

SCALE	1:4	DATE	2021/03/26	Cold trap KZ-08BBF0P4A3 SHI P/N : KZ-08BBF0P4A3-0
DRAWN	T. Sakamoto	DESIGN	Y. Shibata	
INSPECTION	M. Nakamura	APPROVAL	M. Nakamura	DWG. NO.
Sumitomo Heavy Industries, Ltd.				RG21ZH2213AQ