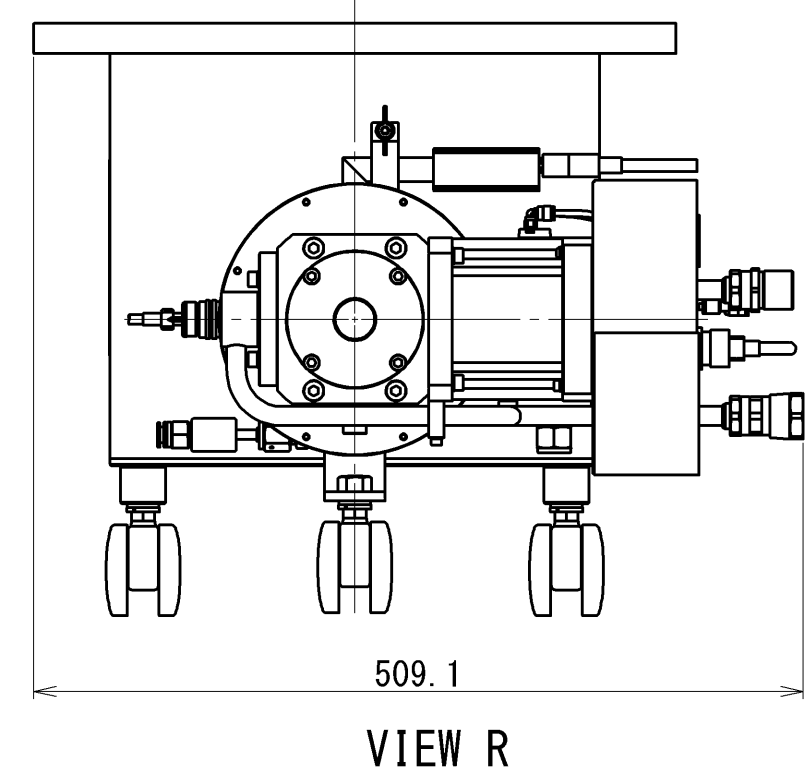
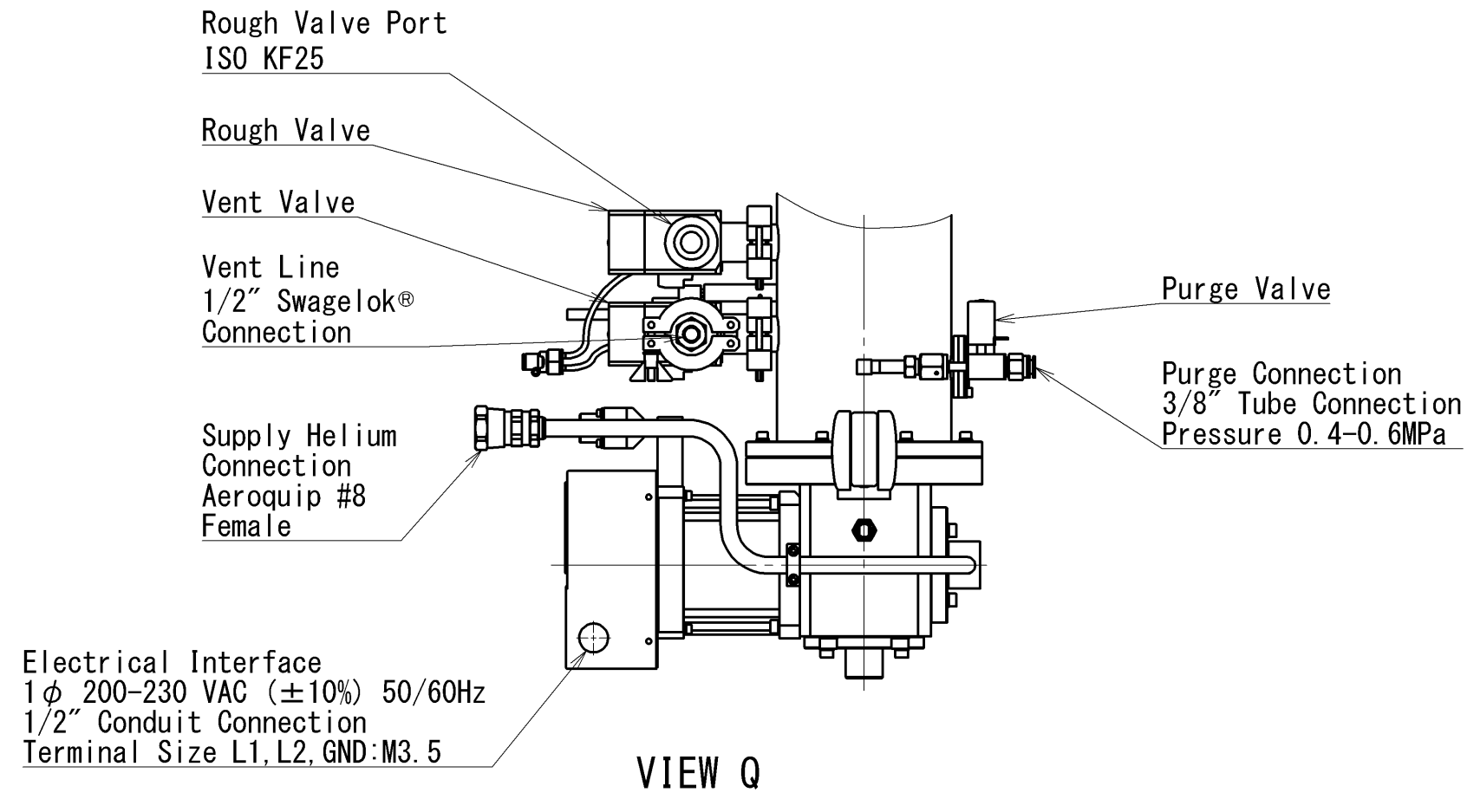


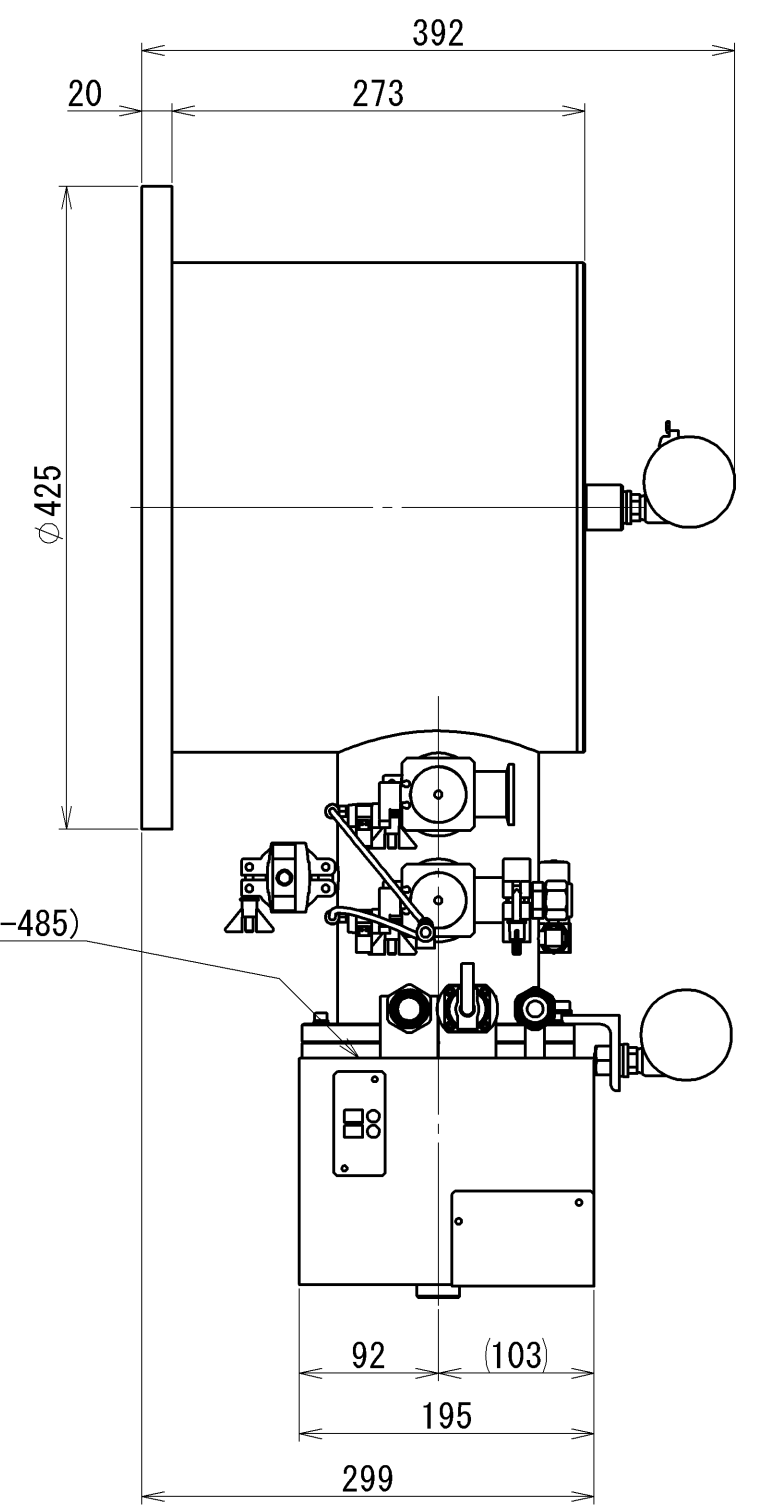
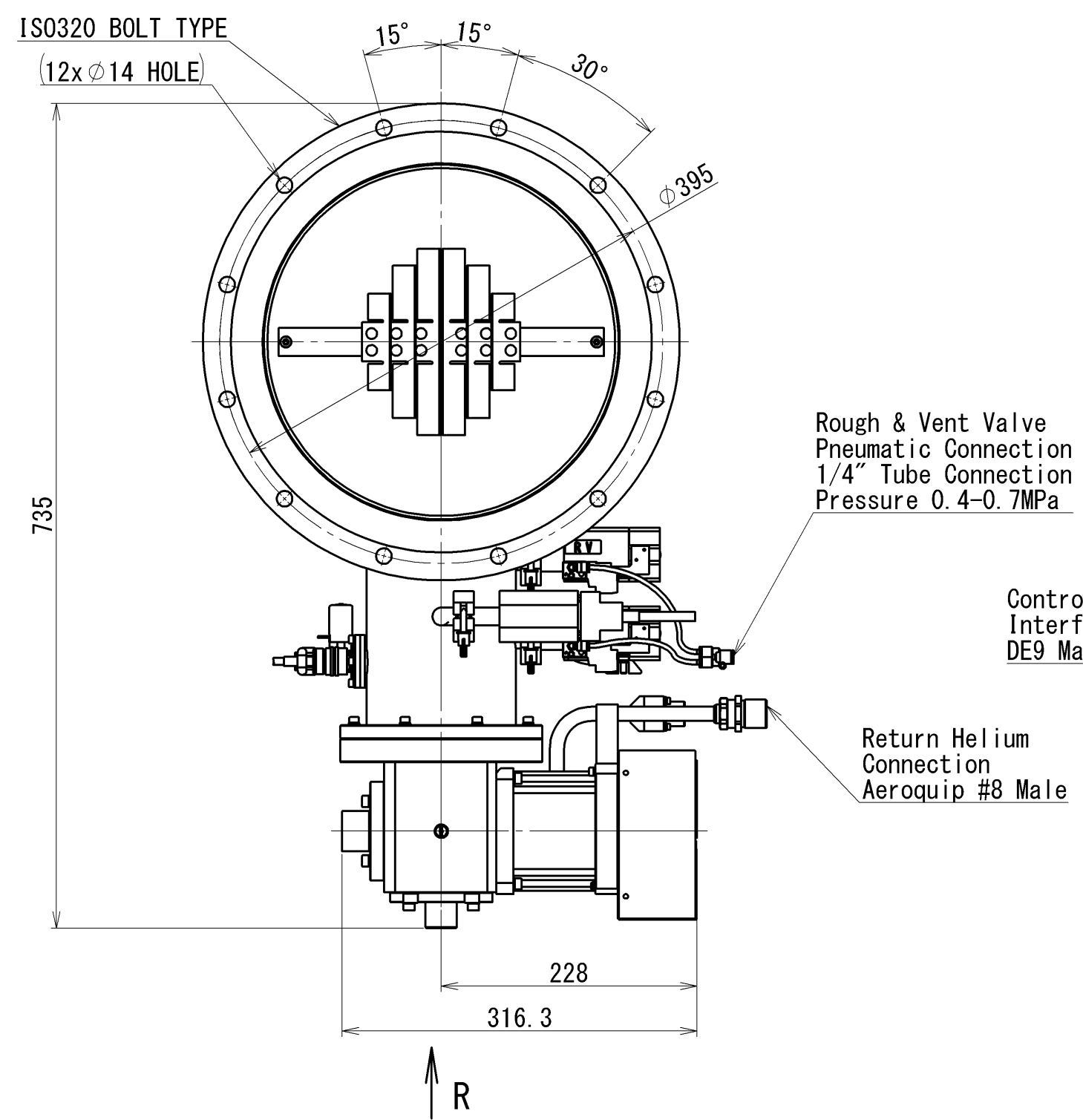
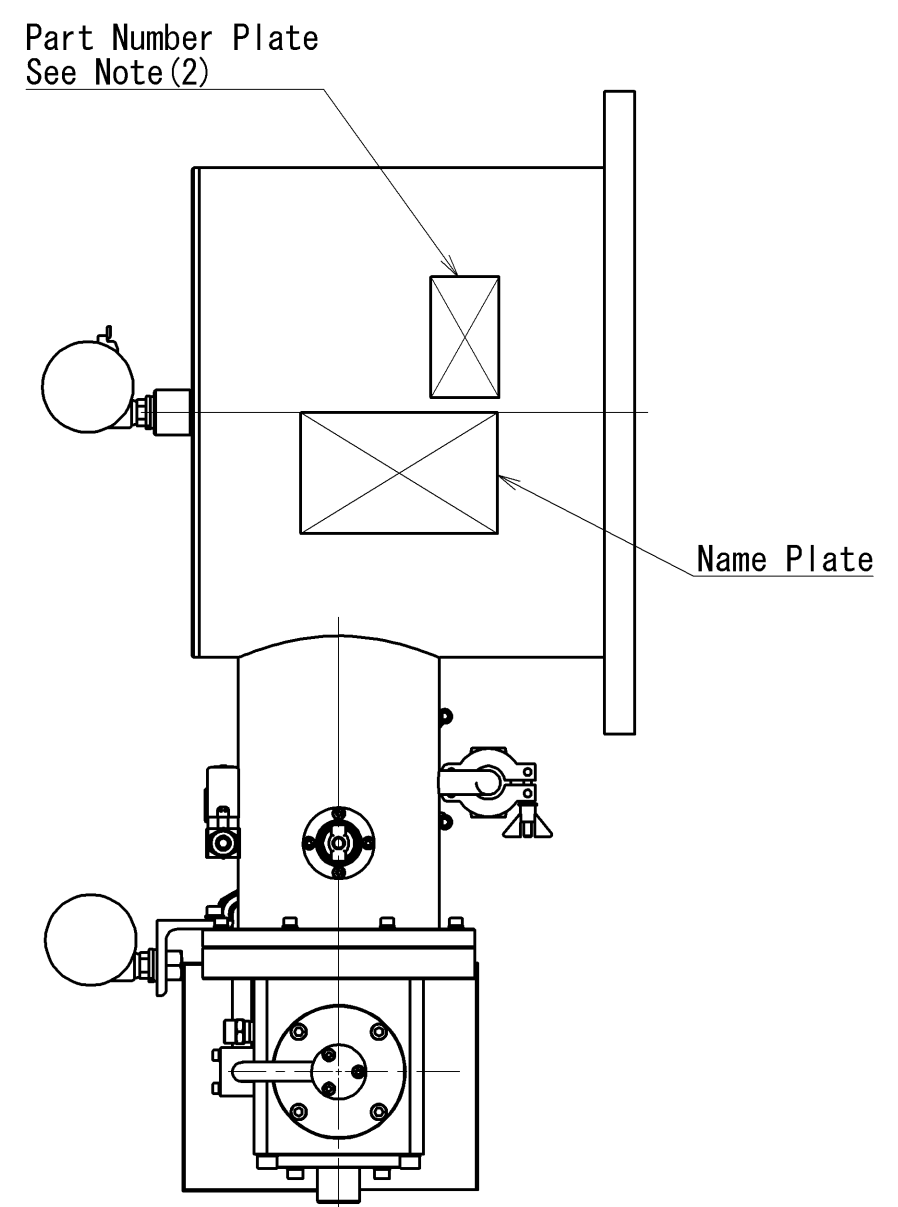
THIS DRAWING IS THE PROPERTY OF SUMITOMO HEAVY INDUSTRIES, LTD. (SHI) AND IS CONFIDENTIAL. IT SHALL NOT BE REPRODUCED, NOR USED FOR ANY OTHER PURPOSE, NOR SUBMITTED TO OUTSIDE PARTIES WITHOUT SHI'S PERMISSION.

NO. PIECE FOR SET	DESCRIPTION	MARK	MATERIAL	MASS kg		STANDARD NO.	MATERIAL SPEC.
				FOR ONE	TOTAL		
					53		



NOTE
 1) CHARGED HELIUM GAS 1.65-1.70MPa.
 2) PART NUMBER PLATE DETAIL.

CRYOPUMP
KZ-12BAL0E0B3
 ◆ Sumitomo Heavy Industries, Ltd.
 MADE IN JAPAN
 SHI PART NO.
 KZ-12BAL0E0B3-0



METRIC

SCALE	1:5	DATE	2022/08/22	Crypump KZ-12BAL0E0B3
DRAWN	T. Sakamoto	DESIGN	D. Ito	SHI P/N : KZ-12BAL0E0B3-0
INSPECTION	M. Nakamura	APPROVAL	M. Nakamura	DWG. NO.
Sumitomo Heavy Industries, Ltd.				RG32ZH2389AQ