

REF.: NET WEIGHT: 67 lbs [30.4 kg]

MATERIAL LEGEND	
DESIGNATION	MATERIAL
	ST. STL.
	ALUMINUM
	COPPER, OFE

REV.	MOC NO.	08/05/24	KRR	JJR	ALM	JWR
	DATE		BY	MFG.	QUAL.	ENGR.

TITLE

OUTLINE DRAWING

CH-160D3 COLD HEAD ASSEMBLY

**Sumitomo**  
(SHI) Cryogenics of America, Inc.

280963D1-C

METRIC SHEET 1 OF 2

PROPRIETARY NOTICE: THIS DOCUMENT IS THE PROPERTY OF SUMITOMO (SHI) CRYOGENICS OF AMERICA, INC., AND SHALL NOT, WITHOUT THE EXPRESS WRITTEN PERMISSION OF SCAI, BE REPRODUCED OR COPIED IN WHOLE OR IN PART BY ANY PERSON OUTSIDE OF SCAI OR, IF LOANED BY SCAI TO SUCH PERSON, SHALL NOT BE USED FOR FURNISHING INFORMATION TO ANY THIRD PARTY OR FOR ANY PURPOSE OTHER THAN THAT FOR WHICH IT IS LOANED.

FORM DD102099-A Rev. C (3/2019)

MOUNTING FLANGE HOLES  
 $\phi$  11.10 THRU, (8) HOLES  
 EQ SPACED ON A  $\phi$ 217.6 B.C.

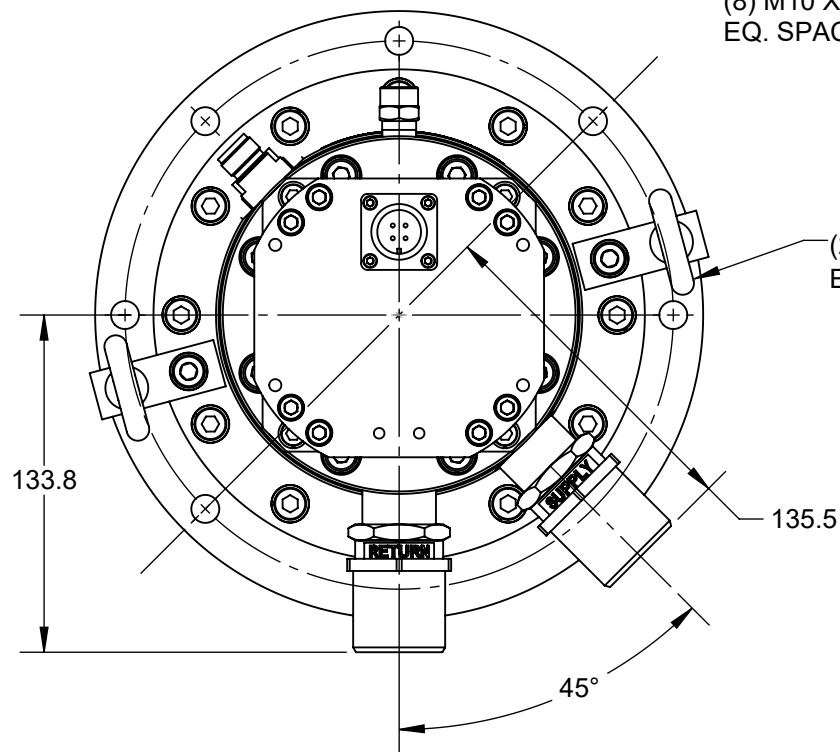
HEAT STATION MOUNTING HOLES  
 (8) M10 X 1.5-6H X 15mm LG. HELI-COILS  
 EQ. SPACED ON  $\phi$  101.6 B.C.

(2) LIFTING  
 EYE BOLTS

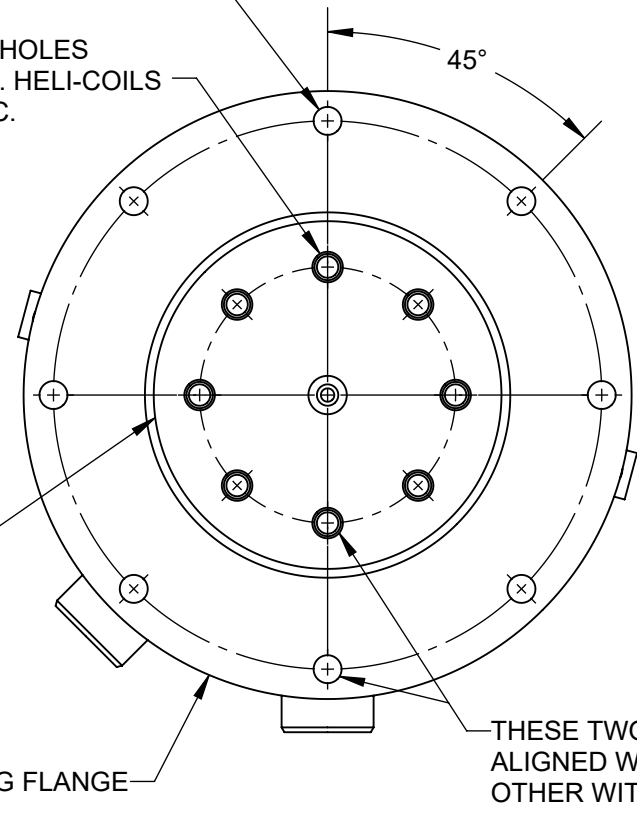
HEAT STATION

MOUNTING FLANGE

THESE TWO HOLES ARE  
 ALIGNED WITH EACH  
 OTHER WITHIN  $\pm 5^\circ$



VIEW Y-Y



VIEW Z-Z

REV.	MOC NO.	08/05/24	KRR	JJR	ALM	JWR
	DATE	BY	MFG.	QUAL.	ENGR.	

TITLE

OUTLINE DRAWING  
 CH-160D3 COLD HEAD ASSEMBLY

 **Sumitomo**  
 (SHI) Cryogenics of America, Inc.

280963D1-C

METRIC SHEET 2 OF 2

PROPRIETARY NOTICE: THIS DOCUMENT IS THE PROPERTY OF SUMITOMO (SHI) CRYOGENICS OF AMERICA, INC., AND SHALL NOT, WITHOUT THE EXPRESS WRITTEN PERMISSION OF SCAI, BE REPRODUCED OR COPIED IN WHOLE OR IN PART BY ANY PERSON OUTSIDE OF SCAI OR, IF LOANED BY SCAI TO SUCH PERSON, SHALL NOT BE USED FOR FURNISHING INFORMATION TO ANY THIRD PARTY OR FOR ANY PURPOSE OTHER THAN THAT FOR WHICH IT IS LOANED.